

Unique design and high level of final finish classify this product as a "must have" with its unique method of opening and closing. It can be extremely simply and very securely installed into several types of panel surfaces. The innovative

fixators are designed for panel thicknesses above 9mm, with no limitations. Power supply and connection with other interior devices is now even more accessible.



ADVANTAGES

- Fisheye design gives the work and living area a unique aesthetic appearance
- Wide range of uses
- The possibility of installing a cable tunnel

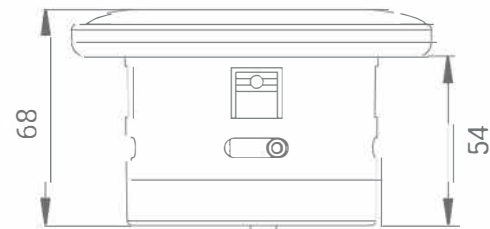
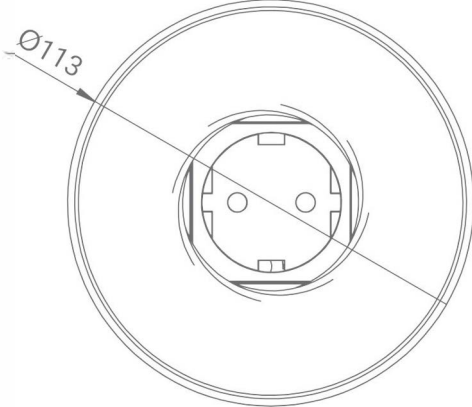
POWER CHARACTERISTICS

- **Voltage:** 100-250 V max
- **Current:** 16 A max
- **Frequency:** 50-60 Hz
- **Temperature:** 0 – 40°C
- **Relative humidity:** 0 – 95 % (no condensing)
- **Protection:** IP 20
- **Power cable / connector:** cable HO5VV - F, 3x1,5mm² EPN 1104/EPN 1114 (Wieland m/f) – 400mm. For additional cables, (Table 5, page 56)

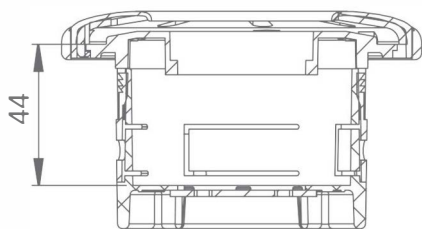


Installing of power modules is performed solely in our company.

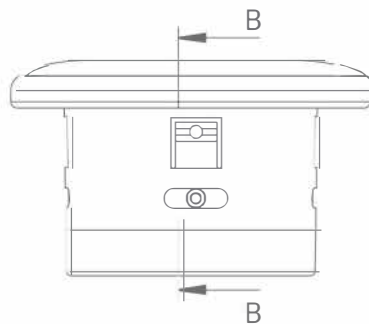
We offer our clients the choice between having their devices equipped with communication and data modules in our company or for the client to order and buy the required modules and install them themselves.



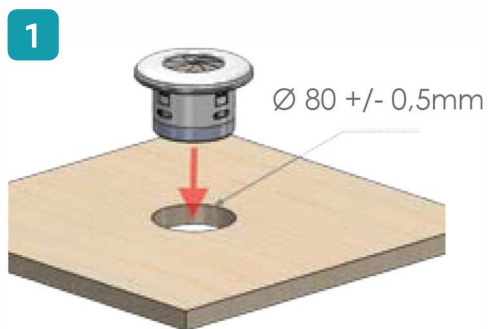
Cable length
400mm



SECTION B-B
SCALE 1:2



MOUNTING



Mounting is achieved with the integrated plastic fixator by turning the bottom cover clockwise. For panel thicknesses above 9mm.

