

# MINI DX

IN THE DESK

**Recommended for:** office, home, schools and universities

Elegant and above all practical, **Mini DX** is a small oasis on the work table with all the necessary sockets for a work place. At the same time it uses minimum space on the work surface. Largest number of sockets on smallest surface also perfectly serves the needs of students in schools and

universities. It is available in black and white colour and thanks to the stainless steel finish and the possibility to add a cover lid which opens to 181°, the **Mini DX** first stylish into the kitchen environment as well. **Mini DX** is a unique and easily recognizable product.



## ADVANTAGES

- Compact. Power, twin charger with or without two data connectors
- Easy installation in standard Ø80mm opening
- Low profile above the work surface, or leveled with the surface
- Available in FxdMini colours 2019, or in stainless steel finish

## POWER CHARACTERISTICS

- **Voltage:** 100-250 V (max)
- **Current:** 16 A (max)
- **Frequency:** 50-60 Hz
- **Temperature:** 0 – 40°C
- **Relative humidity:** 0 – 95 % (no condensing)
- **Protection:** ip 20
- **Power cable / connector:** cable H05VV - F, 3x1,5mm<sup>2</sup> EPN 1104/EPN 1114 (Wieland m/f) – 400mm. For additional cables, (Table 5, page 56)



**P** Schuko power outlet (Type F)  
2 pins, grounded, 16 A (max), 240 V (max), grounded



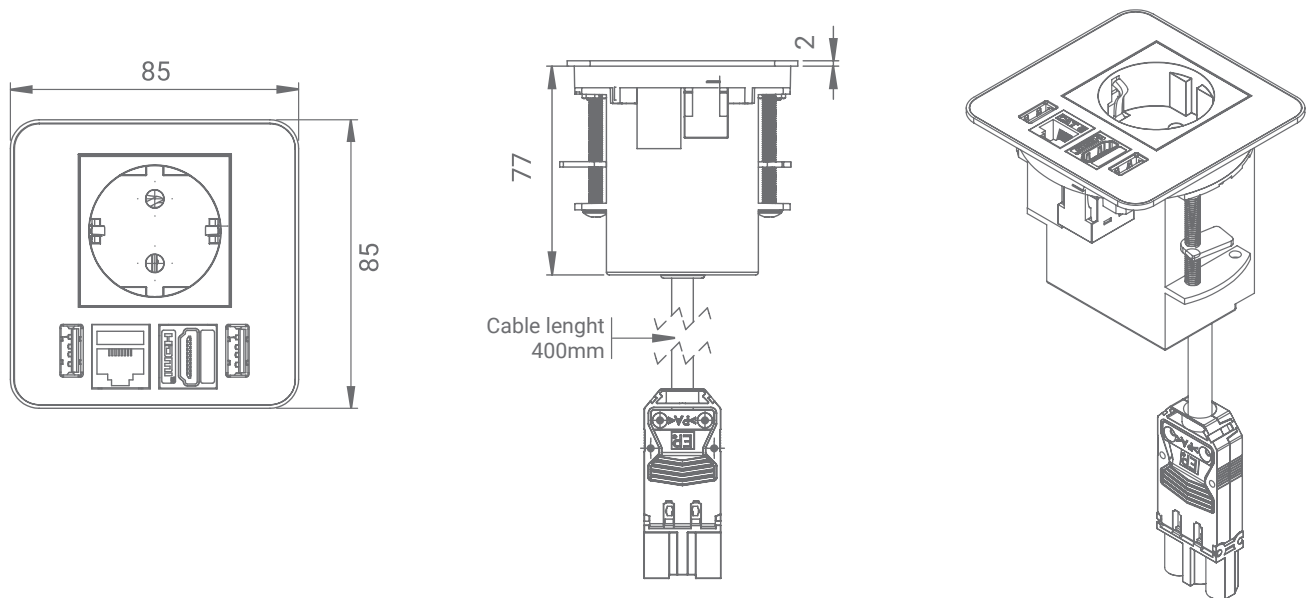
**USBC** USBCharger2,  
5 V, 2.4 A, 2 ports



**E** exchangeable communication  
module place

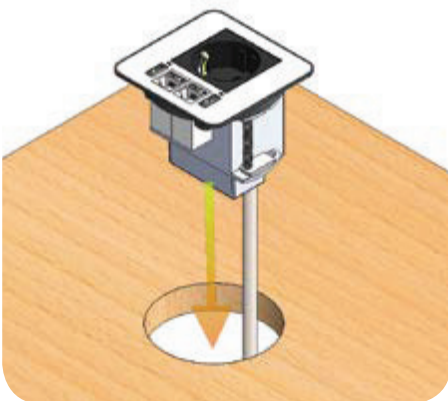


*designed for today*

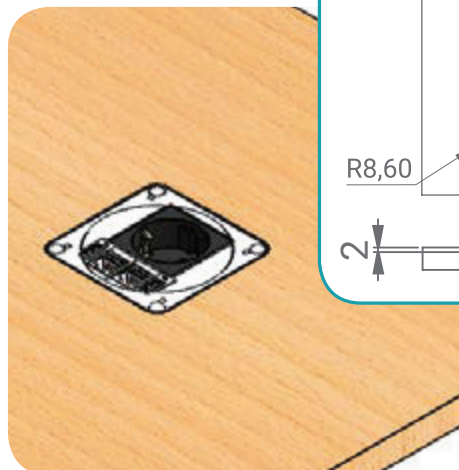


## MOUNTING

1

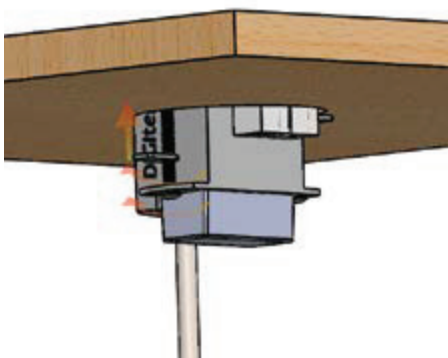


1.1 OPTIONAL

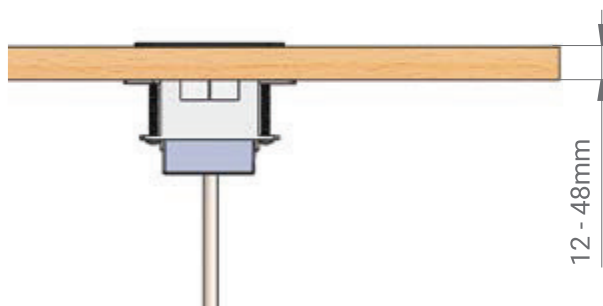


If you want to install the device in a way that its top surface comes flush with the work surface, you need to create an opening shown in the image.

2



3



It is easily mounted in a  $\varnothing 80 + 0,5\text{mm}$  opening with an integrated tightening mechanism and using only a PH screw driver. For desk thicknesses from 12 to 48mm.

Installing of power modules is performed solely in our company.

We offer our clients the choice between having their devices equipped with communication and data modules in our company or for the client to order and buy the required modules and install them themselves.